

# TEAM TABLES

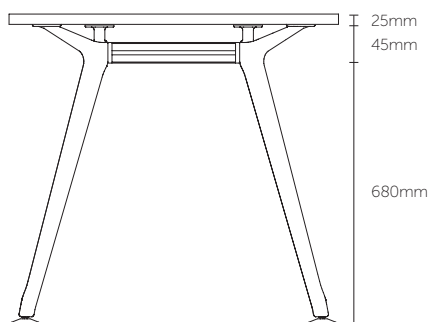
Team table's frame system can accommodate for one-on-one meetings to corporate business discussions or presentations involving multiple people. The Team Table provides style and function with a refined, modern appearance.



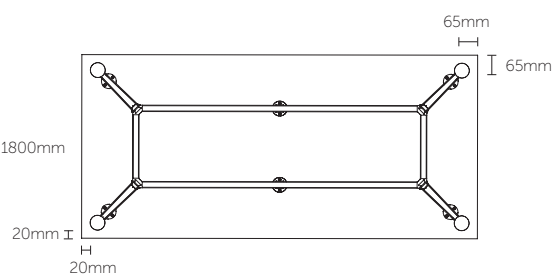
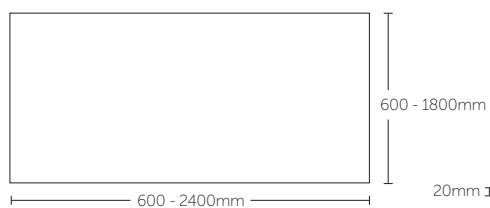
# TEAM TABLES



## TEAM TABLES SIZE GUIDE



4 Leg Tables:





**STANDARD FEATURES**

- Polished Alloy, White or Black powdercoat legs.
- Black powdercoat rails & connectors.
- 4 leg, 6 leg & 8 leg configurations.
- Made to order sizes available.

**AVAILABLE COMPLETE WITH WORKSURFACE SIZES**

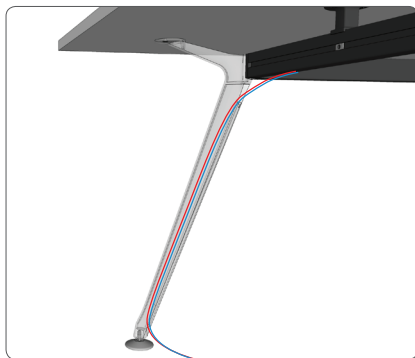
- 900mm Diameter
- 1050mm Diameter
- 1000mm x 1000mm
- 1200mm x 750mm
- 1500mm x 750mm
- 1800mm x 750mm
- 1800mm x 900mm
- 1800mm x 1200mm
- 2400mm x 1200mm
- 3600mm x 1200mm (2 piece top)
- 4800mm x 1200mm (2 piece top)
- 5400mm x 1200mm (3 piece top)



Team Meeting Table



Team Desk

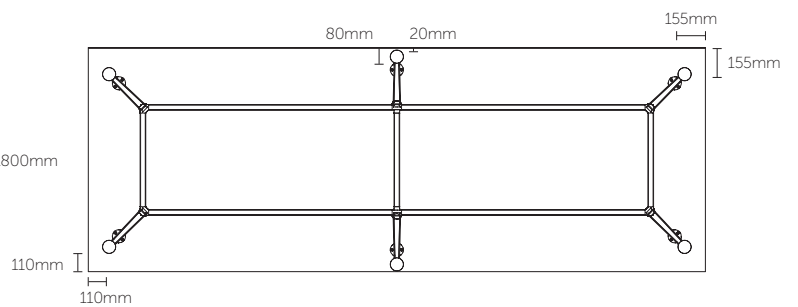
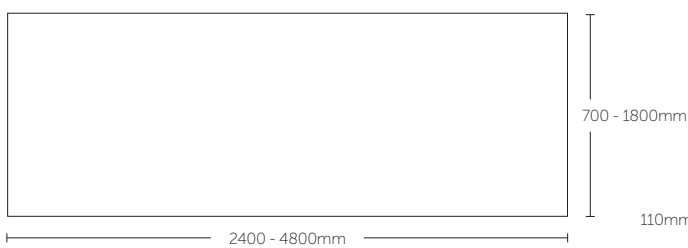


Team Boardroom Table



Team Boardroom Table

**6 Leg Tables:**



Tel: 03 9646 4708  
Fax: 03 9646 4708  
Address: 45 Bayside Avenue, Port Melbourne, Vic 3207  
Website: [www.melbofficefurniture.com.au](http://www.melbofficefurniture.com.au)  
Email: [sales@melbofficefurniture.com.au](mailto:sales@melbofficefurniture.com.au)



**WORKSTATIONS**



**TABLES**



**STORAGE**



**SCREENS**



**SEATING**