

# R4 EXECUTIVE SEATING

## BOSTON



### FEATURES

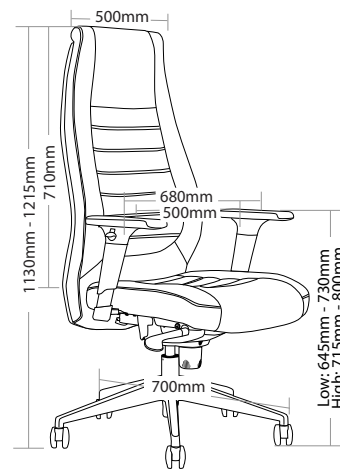
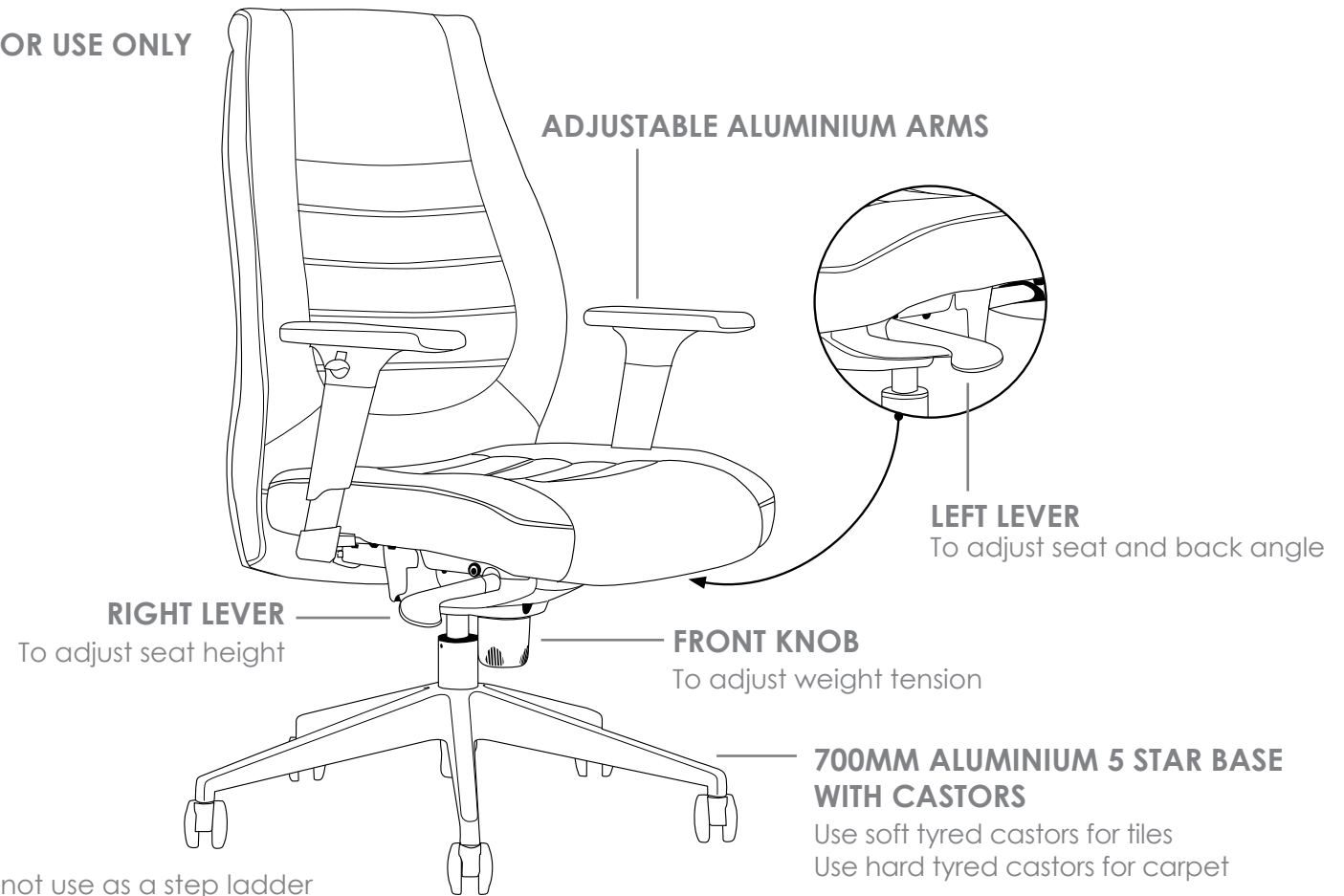
#### BOSTON-H/ BOSTON-L

- » Adjustable seat height
- » Adjustable seat and back angle
- » Adjustable weight tension
- » Adjustable aluminium arms
- » Available in high and low back
- » High density foam
- » Synchron mechanism with 3 locking positions
- » 700mm aluminium base
- » Available in black PU only
- » Minor assembly required
- » Suitable for indoor use only
- » 5 year warranty
- » Weight limit is 120kg

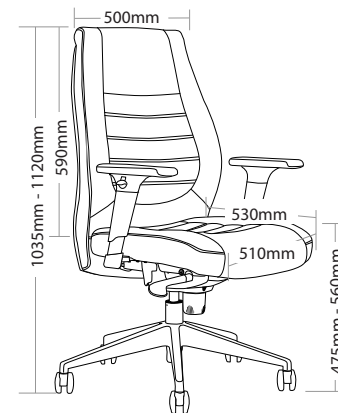
#### BOSTON-VC

- » Chrome frame
- » High density foam
- » Available in black PU only
- » Minor assembly required
- » Suitable for indoor use only
- » 5 year warranty
- » Weight limit is 120kg

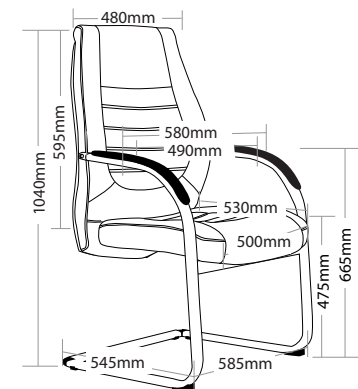
INDOOR USE ONLY



BOSTON-H



BOSTON-L



BOSTON-VC

# **BOSTON** EXECUTIVE SEATING



BOSTON-H



BOSTON-L



BOSTON-VC